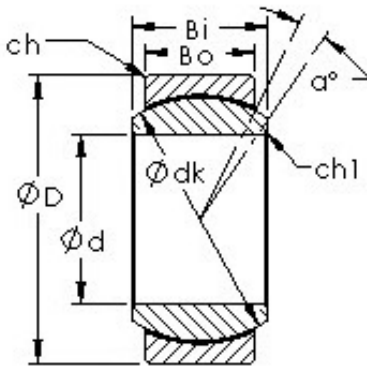




NTN Bearing Manufacturing



AST GEBJ16C plain bearings

Bearing No. GEBJ16C

Bore Diameter	16 mm
Outer Diameter	32 mm
Bearing Type	wide
Bore Dia (d)	16.0000
Outer Dia (D)	32.0000
Outer Width (Bo)	15.0000
Inner Width (Bi)	21.0000
Dynamic Load Rating (Cr)	38,000
Static Load Rating (Cor)	96,000
Max. shaft corner radius, or 45 deg. chamfer (ch1)	0.300
Max. housing corner radius, or 45 deg. chamfer (ch)	0.600
Spherical Diameter (dk or Dk)	28.580
Mis-alignment Angle (a deg.)	15
Weight (g)	81.00
Material - Outer Ring - Carbon steel, Inner ring	52100 Chrome steel, or equivalent

GEBJ16C Bearing 2D drawings and 3D CAD models