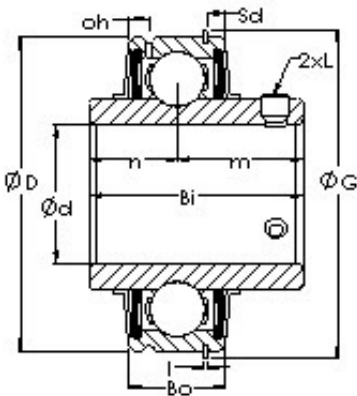




# NTN Bearing Manufacturing



## AST ER209-28 bearing units

Bearing No. ER209-28

Bore Diameter	44,45 mm
Outer Diameter	85 mm
Bearing Type	Inch Size Bore Diameter
Bore Dia (d)	44.4500
Outer Dia (D)	85.0000
Outer Width (Bo)	28.0000
Inner Width (Bi)	49.2000
Dynamic Load Rating (Cr)	34,116
Static Load Rating (Cor)	21,275
Bearing Inner Race Width - Short Side (n)	19.0000
Bearing Inner Race Width - Extended Side (m)	30.2000
Bearing Collar Set Screw (L) - 5/16-24UNF	5/1624UNF
Snap Ring Dia. (G)	91.4000
Snap Rinf Location (Sd)	3.2000
Snap Ring Thickness (I)	1.7000
Relubrication Hole Location (oh)	6.0000
Shaft Size (ds) - 1-3/4	13/4
Weight (g)	898.11

ER209-28 Bearing 2D drawings and 3D CAD models