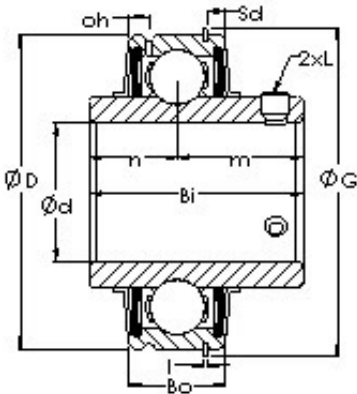




NTN Bearing Manufacturing



AST ER207-21 bearing units

Bearing No. ER207-21

Bore Diameter	33,34 mm
Outer Diameter	72 mm
Bearing Type	Inch Size Bore Diameter
Bore Dia (d)	33.3400
Outer Dia (D)	72.0000
Outer Width (Bo)	24.0000
Inner Width (Bi)	42.9000
Dynamic Load Rating (Cr)	25,683
Static Load Rating (Cor)	15,390
Bearing Inner Race Width - Short Side (n)	17.5000
Bearing Inner Race Width - Extended Side (m)	25.4000
Bearing Collar Set Screw (L) - 5/16-24UNF	5/1624UNF
Snap Ring Dia. (G)	78.5000
Snap Rinf Location (Sd)	3.2000
Snap Ring Thickness (I)	1.7000
Relubrication Hole Location (oh)	5.5000
Shaft Size (ds) - 1-5/16	15/16
Weight (g)	630.49

ER207-21 Bearing 2D drawings and 3D CAD models