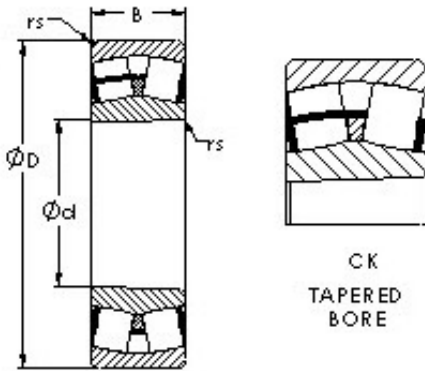




NTN Bearing Manufacturing



AST 22312CK spherical roller bearings

Bearing No. 22312CK

Size	60x130x46 mm
Bore Diameter	60 mm
Outer Diameter	130 mm
Width	46 mm
Bearing Type	tapered bore
Bore Dia (d)	60.0000
Outer Dia (D)	130.0000
Width (B)	46.0000
Radius (min) (rs)	2.100
Dynamic Load Rating (Cr)	270,000
Static Load Rating (Cor)	320,000
Max Speed (Grease) (X1000 RPM)	3
Max Speed (Oil) (X1000 RPM)	4
Weight (g)	2,840.00
Material	52100 Chrome steel, or equivalent

22312CK Bearing 2D drawings and 3D CAD models