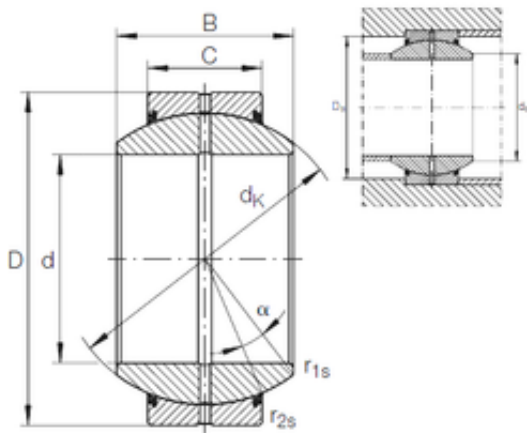




NTN Bearing Manufacturing

20 mm x 42 mm x 25 mm INA GE 20 FO-2RS
plain bearings



Bearing No. GE 20 FO-2RS

Size	20x42x25 mm
Bore Diameter	20 mm
Outer Diameter	42 mm
Width	25 mm
d	20 mm
D	42 mm
B	25 mm
C	16 mm
dk	35,5 mm
r1 min.	0,3 mm
r2 min.	0,6 mm
da max	25,2 mm
Da min	33 mm
Angle	17 °
Weight	0,15 Kg
Basic dynamic load rating (C)	48 kN

GE 20 FO-2RS Bearing 2D drawings and 3D CAD models