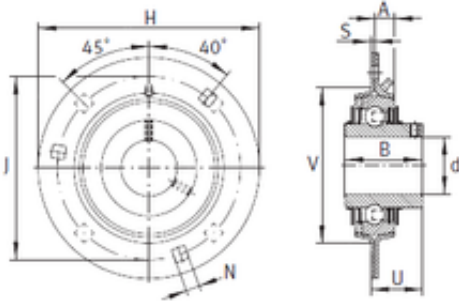




NTN Bearing Manufacturing

INA RRY12-VA bearing units



Bearing No. RRY12-VA

Bore Diameter	12 mm
d	12 mm
V	48 mm
U	17,4 mm
A	7 mm
B	25 mm
H	81 mm
J	63,5 mm
N	7,1 mm
S	2 mm

RRY12-VA Bearing 2D drawings and 3D CAD models