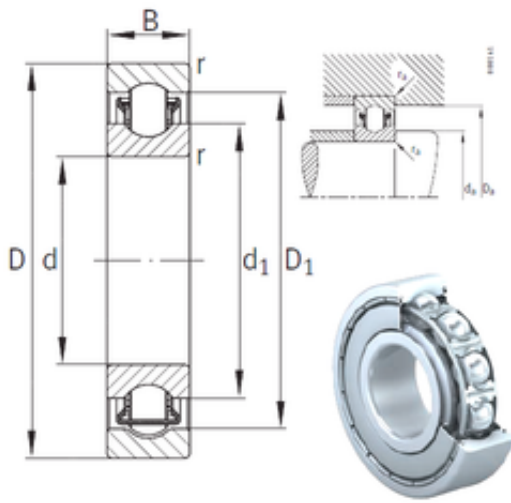




NTN Bearing Manufacturing



50 mm x 80 mm x 16 mm INA BXRE010-2Z
needle roller bearings

Bearing No. BXRE010-2Z

Size	50x80x16 mm
Bore Diameter	50 mm
Outer Diameter	80 mm
Width	16 mm
d	50 mm
D	80 mm
B	16 mm
C	16 mm
d1	60,6 mm
r min.	1 mm
D1	70,7 mm
da min.	54,6 mm
Da max.	75,4 mm
ra max.	1 mm
Weight	0,283 Kg
Basic dynamic load rating (C)	32,5 kN
Basic static load rating (C0)	31 kN
Fatigue load limit (Pu)	1 570

BXRE010-2Z Bearing 2D drawings and 3D CAD models