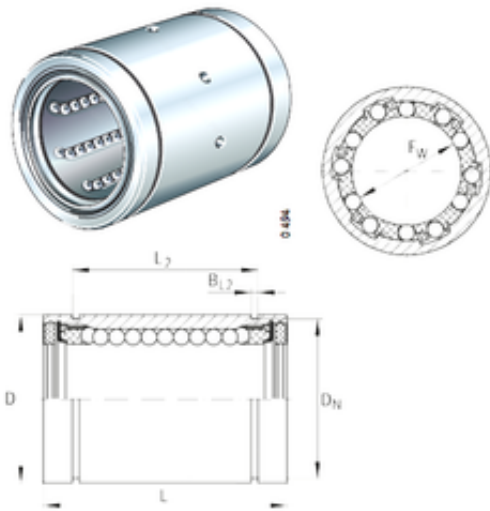




NTN Bearing Manufacturing

INA KB40 linear bearings

Bearing No. KB40



KB40 Bearing 2D drawings and 3D CAD models

Bore Diameter	40 mm
Outer Diameter	62 mm
Fw	40 mm
D	62 mm
Dn	59 mm
L2	60,3 mm
N2	3 mm
L	80 mm
BL2	2,15 mm
Weight	0,6 Kg
Basic dynamic load rating (C)	6,4 kN