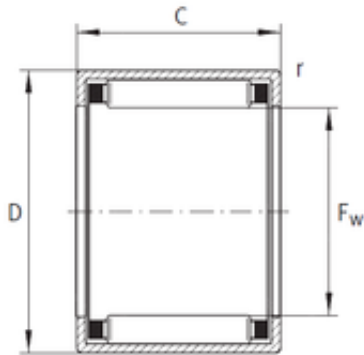




NTN Bearing Manufacturing

INA SCE2 – 1/2 – 4 needle roller bearings



Bearing No. SCE2 – 1/2 – 4

Size	3.969x7.145x6.35 mm
Bore Diameter	3,969 mm
Outer Diameter	7,145 mm
Width	6,35 mm
Fw	3,969 mm
D	7,145 mm
C	6,35 mm
Weight	0,001 Kg
Basic dynamic load rating (C)	1,26 kN
Basic static load rating (C0)	0,940 kN

SCE2 – 1/2 – 4 Bearing 2D drawings and 3D CAD models