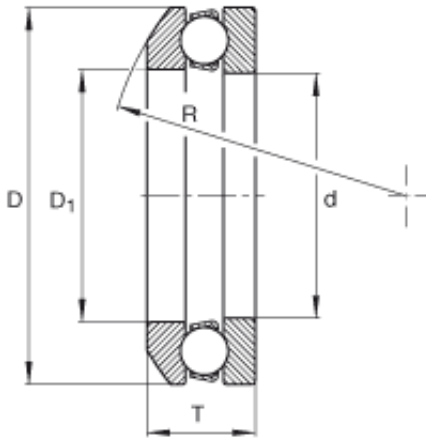




# NTN Bearing Manufacturing



4136 Bearing 2D drawings and 3D CAD models

## INA 4136 thrust ball bearings

Bearing No. 4136

Size	180x260x70 mm
Bore Diameter	180 mm
Outer Diameter	260 mm
Width	70 mm
d	7,087 inch
d	180 mm
D	10,236 inch
D	260 mm
T	2,756 inch
T	70 mm
D <sub>1</sub>	7,244 inch
R	220 mm
m	26,771 lbs / Weight
m	12,141 kg / Weight
C <sub>a</sub>	88000 lbf / Dynamic load rating (axial)
C <sub>a</sub>	390000 N / Dynamic load rating (axial)
C <sub>0a</sub>	277000 lbf / Static load rating (axial)
C <sub>0a</sub>	1230000 N / Static load rating (axial)