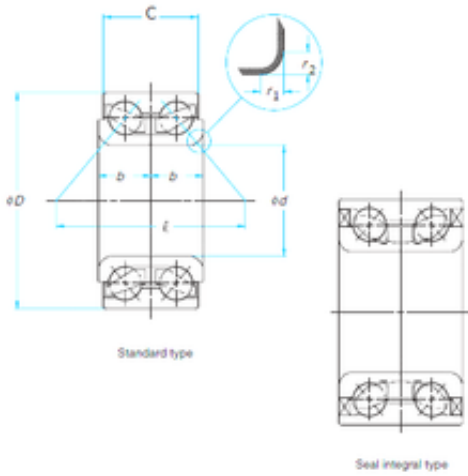




NTN Bearing Manufacturing

45 mm x 84 mm x 41 mm ISO
DAC45840041/39 angular contact ball bearings



Bearing No. DAC45840041/39

Size	45x84x41 mm
Bore Diameter	45 mm
Outer Diameter	84 mm
Width	41 mm
d	45 mm
D	84 mm
B	41 mm
C	39 mm

DAC45840041/39 Bearing 2D drawings and 3D CAD models