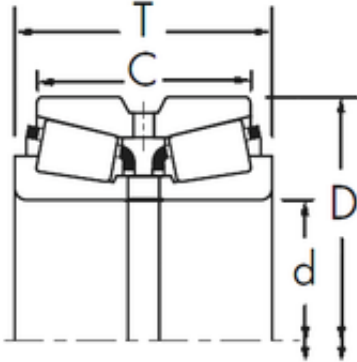




NTN Bearing Manufacturing

Timken 42362/42587D+X3S-42362 tapered roller bearings

Bearing No. 42362/42587D+X3S-42362



42362/42587D+X3S-42362 Bearing 2D drawings and 3D CAD models

Size	92.075x149.225x66.672 mm
Bore Diameter	92,075 mm
Outer Diameter	149,225 mm
Width	66,672 mm
d	92,075 mm
D	149,225 mm
T	66,672 mm
C	52,388 mm
R	3,5 mm
r	0,8 mm