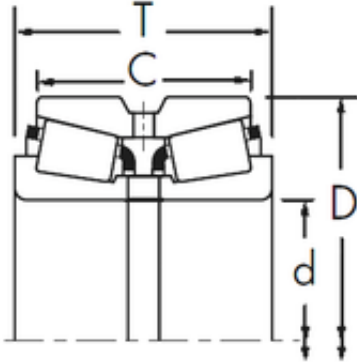




NTN Bearing Manufacturing

Timken 799/792CD+X1S-799 tapered roller bearings



Bearing No. 799/792CD+X1S-799

Size	128.588x206.375x107.95 mm
Bore Diameter	128,588 mm
Outer Diameter	206,375 mm
Width	107,95 mm
d	128,588 mm
D	206,375 mm
T	107,95 mm
C	82,55 mm
R	3,3 mm
r	0,8 mm

799/792CD+X1S-799 Bearing 2D drawings and 3D CAD models